



FORTIVA
Outdoor Cabinetry

Designed to inspire.
Built to endure.

FORTIVA

Outdoor Cabinetry

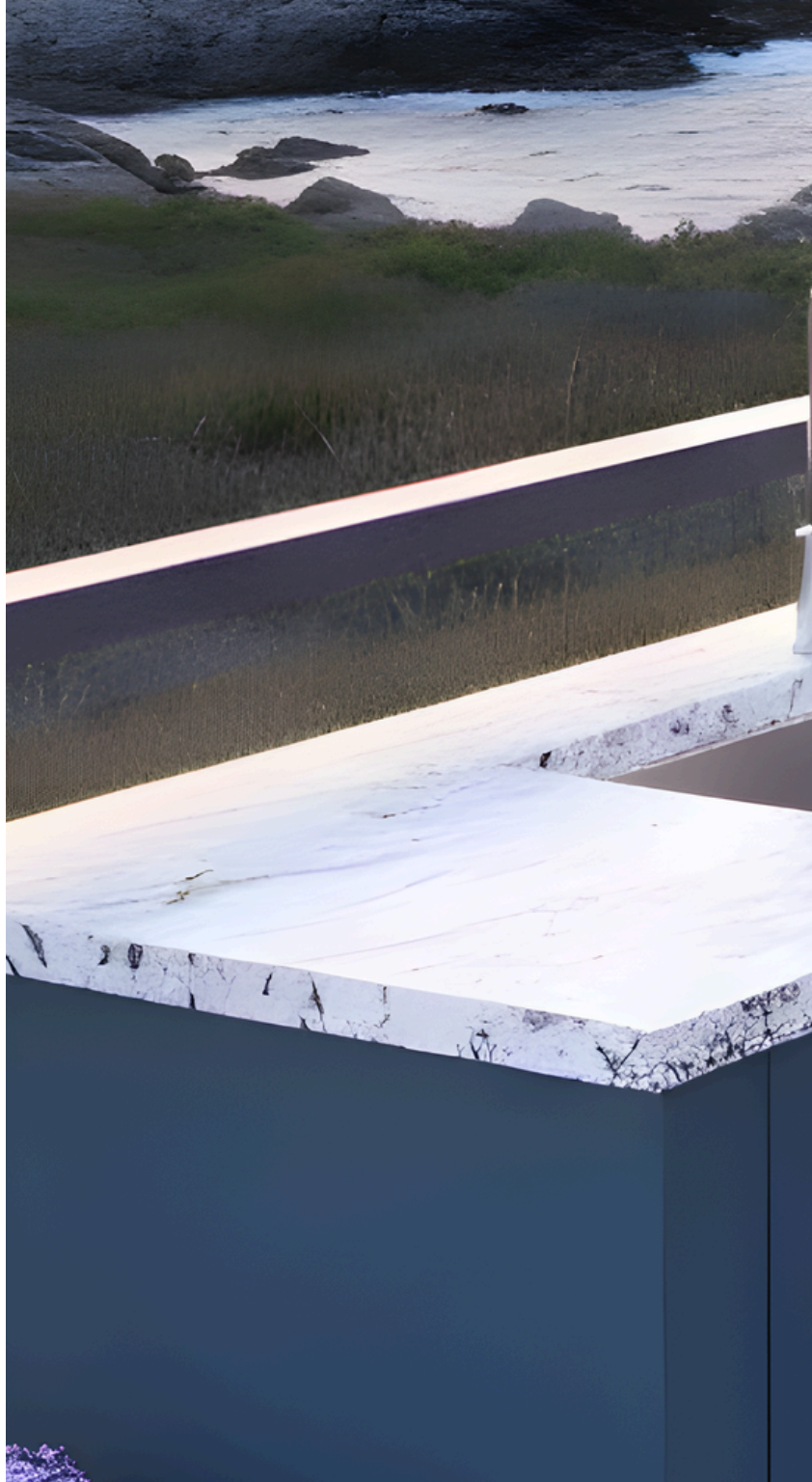




TELA | WHITE

Contents

About Us	4
Why Fortiva	6
Features & Benefits	7
Cabinets & Accessories	11
Cabinet Construction	14
Door Styles	17
Paint Finishes	18
Stain Finishes	19
Q&A	21







Precision Cabinetry *Modern Outdoor Living*

At Fortiva Outdoor Cabinetry, we believe your outdoor space should be as refined, functional, and enduring as the interior of your home. Born from a passion for high-performance design and engineered for the elements, our cabinetry solutions bring together craftsmanship, durability, and style—so your outdoor kitchen not only looks exceptional, it performs year after year.

FORTIVA



Craftsmanship That Shows

From precision joinery to Hettich[™] drawer boxes, Fortiva Outdoor Cabinetry reflects attention to detail not just visible from the front, but engineered from the inside out.

Lifestyle-Driven Design

Not an afterthought, but carefully curated to complement your entertaining style and your daily routines.





*The Strength
of Innovation*



TELA | WEATHERED TEAK

Why Choose Fortiva Outdoor Cabinetry?

As part of the Edge Building Solutions family, the Fortiva Outdoor Cabinetry team brings together decades of expertise in engineering, design, and sales. For over forty years, our companies have partnered with luxury homebuilders, giving us a deep understanding of what discerning homeowners expect when it comes to quality and style.

Fortiva Outdoor Cabinetry was founded on a simple idea: your outdoor spaces deserve the same level of craftsmanship, innovation, and premium materials as the inside of your home. Our cabinetry is built from a proprietary composite material engineered to withstand the elements—rain, sun, heat, and beyond—ensuring lasting performance in any environment.

To complement this durability, our design team has curated the most sought-after door styles and finishes, allowing you to create an outdoor kitchen that reflects both elegance and individuality. With Fortiva Outdoor Cabinetry, you're not just choosing cabinets—you're choosing timeless luxury, crafted to endure.

Fire Up Your Outdoor Living. We'll Handle the Cabinets.

Experience weather-resistant luxury cabinetry crafted in Alpharetta, Georgia and built to last. With consistent lead times and competitive pricing, Fortiva delivers the perfect blend of performance, style and value for your outdoor kitchen.



Features & Benefits of Fortiva

- Crafted from a durable, engineered material and finished in-house to capture the natural beauty and texture of real wood.
- Weather resistant and extremely durable for all 4 seasons
- Easy to order collections or customize your configuration
- Designed to work with most grills, smokers and griddles
- 4 popular door styles to match your style
- Smooth and textured finishes
- 5 trending paint colors and 5 timeless stain options
- Outstanding customer service to support you







PURO | EBONY



*The Art
of Design*

Cabinets & Accessories

Full-Height Door Cabinets



Maximize your outdoor kitchen storage space with Fortiva full-height door cabinets, designed for both function and style. These cabinets are available in 3-inch increments ranging from 12" to 36" making it easy to find the right fit for your layout. All doors include a soft/self-close feature for smooth, quiet use, and they're built with weather-resistant hardware for lasting performance outdoors. Fortiva cabinets also come in premium finishes, available in either smooth or textured options to match your design aesthetic.

3-Drawer Cabinets

Fortiva 3-drawer cabinets are built for durability and provide ample storage and organization for your outdoor kitchen. Available in 3-inch increments from 15" to 30", they offer flexible sizing to suit a variety of layouts. Each cabinet features a soft/self-close function for smooth, quiet operation, along with weather-resistant hardware designed to stand up to outdoor conditions. Fortiva 3-drawer cabinets are also offered in premium finishes, available in either smooth or textured options to complement your overall design.





Grill Base Cabinets

Fortiva outdoor grill bases are engineered to make every cookout feel effortless and elevated. Built for durability in all seasons, each base combines sturdy, weather-resistant construction with clean, modern lines that complement any patio or rooftop setting. Thoughtful details - like ample storage, easy access for utilities, and a stable footprint - keep your grill secure and your tools close at hand.

Ceramic Smoker Cabinets

Fortiva's smoker base cabinet is purpose-built for ceramic grills, giving them a secure, heat-ready home at the ideal cooking height. Designed as a true outdoor-kitchen foundation, it pairs a stable, precisely sized grill cradle with practical storage for charcoal, tools, and accessories, so everything you need stays close and organized.





Power Burner Cabinets

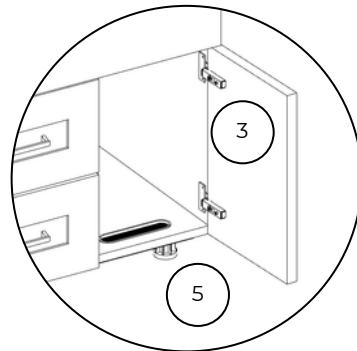
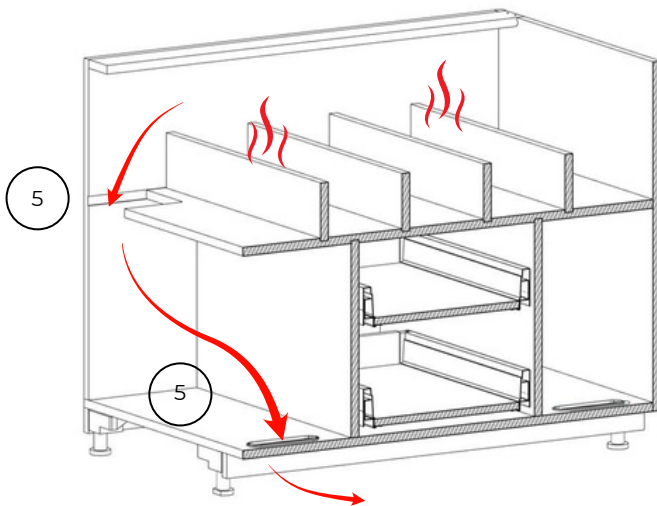
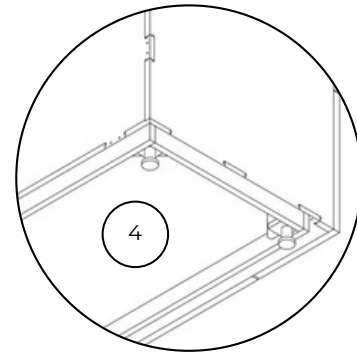
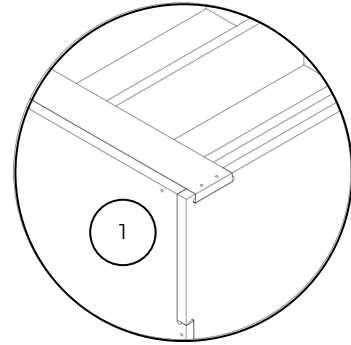
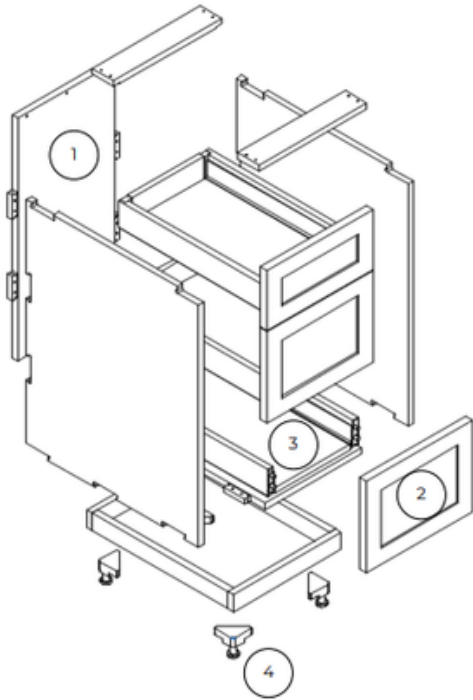
Fortiva power burner cabinets add flexible cooking power to your outdoor kitchen, giving you a dedicated, built-in spot for sautéing, simmering, or warming sides while the main grill does the heavy lifting. Crafted for life outside, they feature durable, weather-ready construction and a clean, integrated look that pairs seamlessly with the rest of your Fortiva suite.

Accessories

Fortiva accessories are designed to add everyday convenience and organization to your outdoor kitchen while maintaining a clean, streamlined look. Choose from practical solutions like a trash can pullout for quick and discreet waste disposal, pullout drawers for easy-access storage of tools, supplies, and grilling essentials, and a propane tank pullout that keeps your fuel source secure, accessible, and neatly tucked away. Each accessory is built for smooth operation and durable performance, helping you maximize space and keep everything you need right where you want it—ready for every cookout.



Built to Perform



1. Cabinet Box Construction

- Constructed with 3/4" cellular PVC sheet
- Box-joint construction for maximum glue surface area and mechanical interlock support
- Fasteners: epoxy and ceramic coated exterior screws (decking style) selected for structural strength and corrosion resistance in exposed outdoor applications
- A black PVC edge banding is applied on the front edges of the cabinet box.

2. Cladding (Doors, Drawers, Panels)

- Durable weather-resistant engineered composite
- Finished with Sherwin-Williams Polane 2K acrylic waterborne paint and topcoat (catalyzed polyurethane system)

3. Hardware

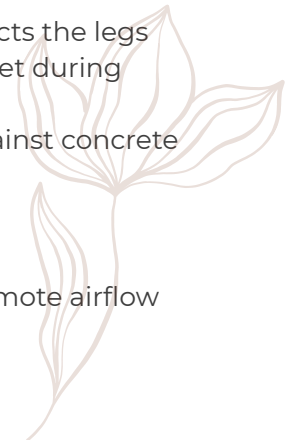
- Hinges:
 - Marine grade 304 stainless steel, designed for both indoor and outdoor applications, and is well suited for wet or corrosive environments
- Drawer System:
 - Hettich InnoTech drawer sides with outdoor-rated runner option (EN 1670 class 3 corrosion rating) and stainless mounting hardware at the slides and hinge attachment points
 - The bottom and the back of the drawer is 5/8" cellular PVC.

4. Adjustable Legs

- All bases have adjustable levelers secured behind a PVC skirt that protects the legs during transportation and prevents damage to the bottom of the cabinet during installation. Height Adjustment: 3-1/2" to 6-1/2"
- We also offer 3/4" PVC toekick, 6" x 96" to be cut onsite and adjusted against concrete floors and decking.

5. Vents

- Grills and Side Burner cabinets include screened vents designed to promote airflow and ventilation within the heated components.



*The Warmth
Of Wood*



Door Styles



TELA
Clean + Shaker



PURO
Minimalist + Modern



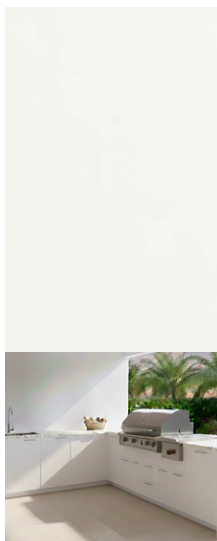
FILO
Sleek + Contemporary



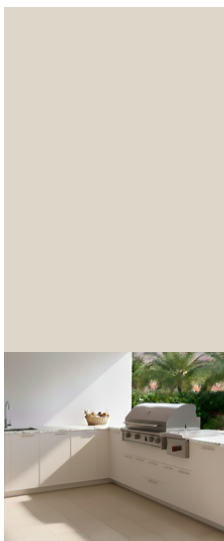
BREZZA
Louvered + Coastal Inspired



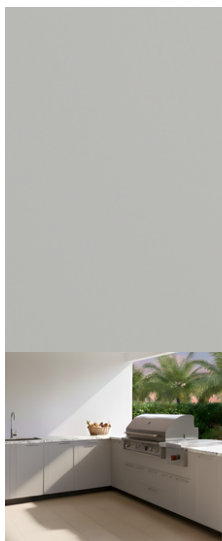
Paint Finishes (Smooth)



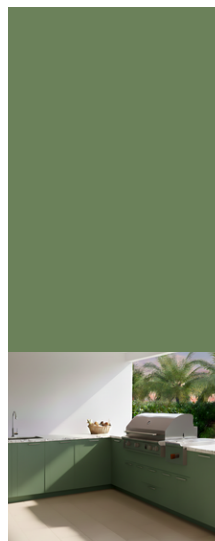
White



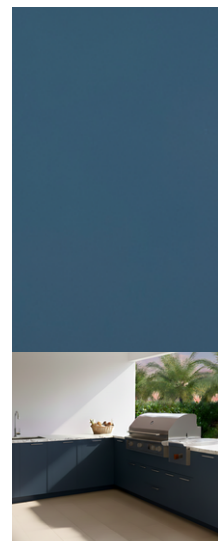
Stucco



Slate



Sage



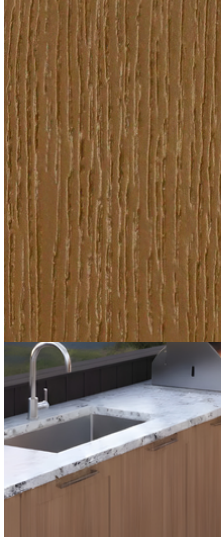
Harbor

*Exact color may vary by lighting; see dealer sample.

Stain Finishes (Textured)



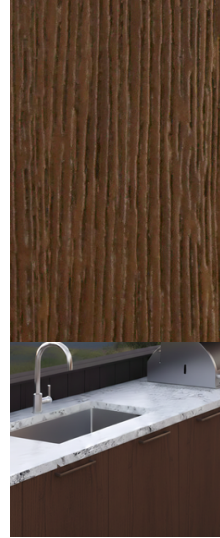
White Ash



Honey



Weathered
Teak



Walnut



Ebony

*Exact color may vary by lighting: see dealer sample.





*A Touch
of Refinement*

Fortiva 101

Q: Where are Fortiva cabinets manufactured?

A: Alpharetta, Georgia

Q: Where can I purchase Fortiva Outdoor Cabinetry?

A: Fortiva cabinets are available through an authorized network of dealers.

Q: Can I get a color sample?

A: Yes! Contact your local dealer or our customer service team to request a sample.

Q: How long does it take to get my cabinets after I place an order?

A: Our production model is set up to provide reliable and consistent lead times.

Q: How do I install my cabinets?

A: Professional installation is recommended for best results.

Q: How do I keep up with Fortiva Outdoor Cabinetry?

A: To stay up to date on Fortiva Outdoor Cabinetry and design trends visit www.fortivacabinetry.com.

Warranty & Customer Support

Q: What is the warranty on my Fortiva cabinetry?

A: Fortiva offers a limited lifetime warranty. See full warranty terms at www.fortivacabinetry.com.

Q: I have a specific problem or question pertaining to my Fortiva product. Who should I reach out to?

A: Please contact Fortiva Customer Support or your authorized dealer for assistance.

Q: What if my local dealer is no longer operating in the area or is unable to help?

A: You may reach out to Fortiva directly for support or to locate another authorized dealer.

Q: How can I get replacement doors, drawers, panels or hardware?

A: Replacement parts can be ordered through your dealer or by contacting Fortiva Customer Support.



FILO | WHITE ASH



FORTIVA

fortivacabinetry.com

Fortiva Outdoor Cabinetry
Alpharetta, GA
252.316.7212